

PRESSMATE RANGE

DROP IN IPA ALCOHOL CONTROL SYSTEM FOR DAMPENING CHILLERS



PRESS*Mate* THE PERFECT PARTNER FOR YOUR PRESS

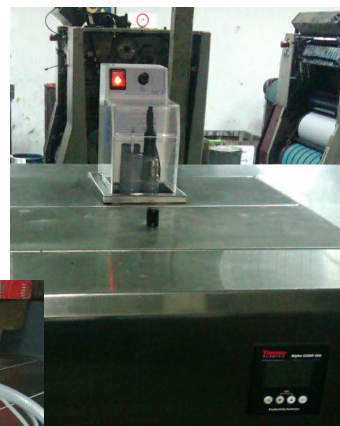
PRESSMATE AlcoMixer Drop-in IPA Dosing System

The **PRESSMATE** AlcoMixer Dosing system is a compact, self-contained unit that is designed to monitor and control the level of Alcohol (Isopropyl Alcohol) in dampening system fountain solutions used in the lithographic industry.

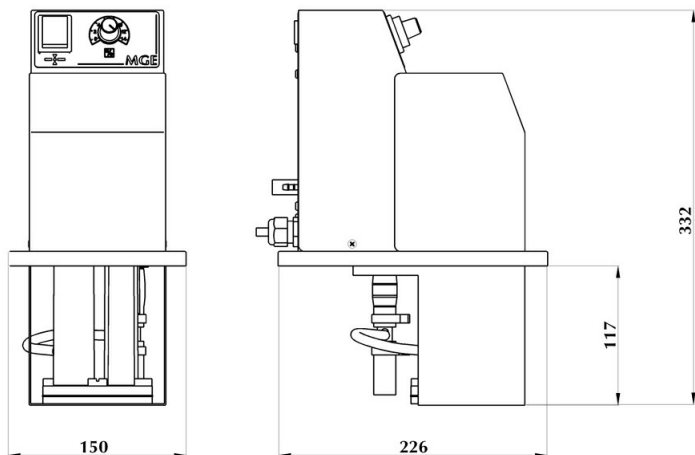
Designed for trouble-free operation the system has no moving parts and once set up these proven units deliver simple, accurate (within +/- 1%) and consistent levels of alcohol control in the fountain solution from an external supply.

The Drop-in unit can not only be fitted in MGE Dampening equipment but also fits many of the other manufacturers dampening systems as well either as a replacement to existing Alcohol control systems or as an addition \ enhancement to the Chiller.

Minor modifications to the Dampening Chiller are needed to ensure the unit is securely located in the circulator tank with power being provided either directly from the circulator or from another convenient source.



Drop-In Alcohol unit shown fitted to competitor's Dampening Chillers



TECHNICAL SPECIFICATIONS

AlcoMixer Drop-In IPA Dosing System	
Product Category	Dosing
Dosing Range	0-14%
Increments	1.0%
Accuracy	+/- 1%
Dimensions	As per above diagram
Power Requirements	230v, 1ph, 50/60Hz



MGE reserve the right to change, improve and/or modify all or any products manufactured and sold by us at anytime; this does not incur any obligation on our part to make like changes to any of our products previously sold.

MGE